

**Robert Bosch GmbH**  
Power Tools Division  
70745 Leinfelden-Echterdingen  
Germany

[www.bosch-garden.com](http://www.bosch-garden.com)

**F 016 L70 825** (2012.11) O / 310 UNI



3 165140 708258

# Indego

<b>de</b> Originalbetriebsanleitung	<b>el</b> Πρωτότυπο οδηγιών χρήσης	<b>sr</b> Originalno uputstvo za rad
<b>en</b> Original instructions	<b>tr</b> Orijinal işletme talimatı	<b>sl</b> Izvirna navodila
<b>fr</b> Notice originale	<b>pl</b> Instrukcja oryginalna	<b>hr</b> Originalne upute za rad
<b>es</b> Manual original	<b>cs</b> Původní návod k používání	<b>et</b> Algupärane kasutusjuhend
<b>pt</b> Manual original	<b>sk</b> Pôvodný návod na použitie	<b>lv</b> Instrukcijas oriģinālvalodā
<b>it</b> Istruzioni originali	<b>hu</b> Eredeti használati utasítás	<b>lt</b> Originali instrukcija
<b>nl</b> Oorspronkelijke gebruiksaanwijzing	<b>ru</b> Оригинальное руководство по эксплуатации	
<b>da</b> Original brugsanvisning	<b>uk</b> Оригінальна інструкція з експлуатації	
<b>sv</b> Bruksanvisning i original	<b>ro</b> Instrucțiuni originale	
<b>no</b> Original driftsinstruks	<b>bg</b> Оригинална инструкция	
<b>fi</b> Alkuperäiset ohjeet		





150 m

F 016 800 317



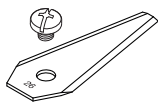
20 x

F 016 800 318



300 x

F 016 800 320



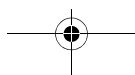
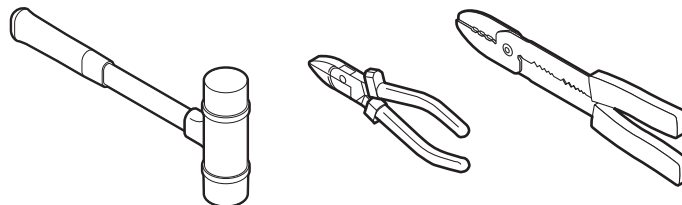
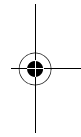
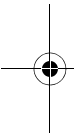
3 x

F 016 800 321

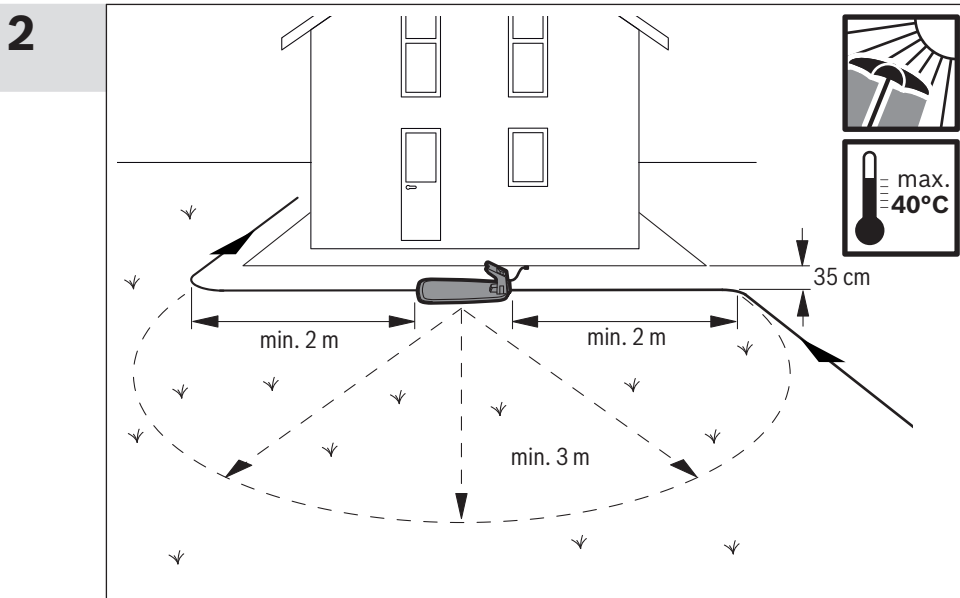
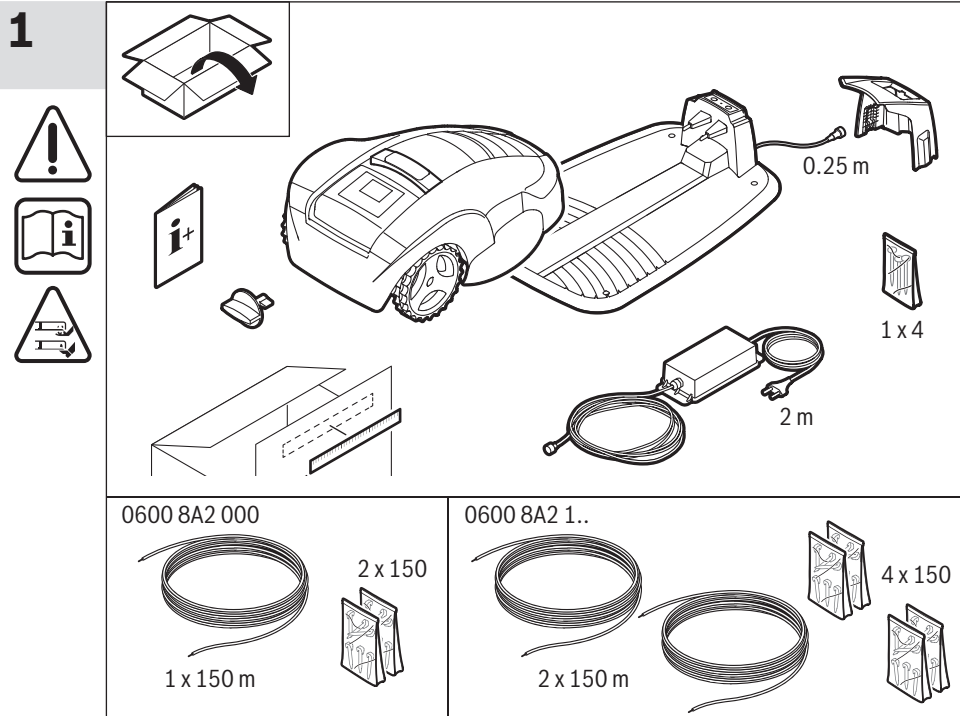


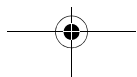
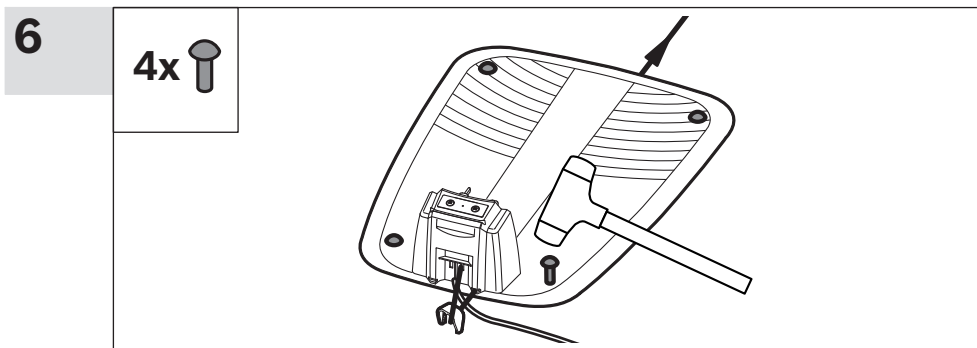
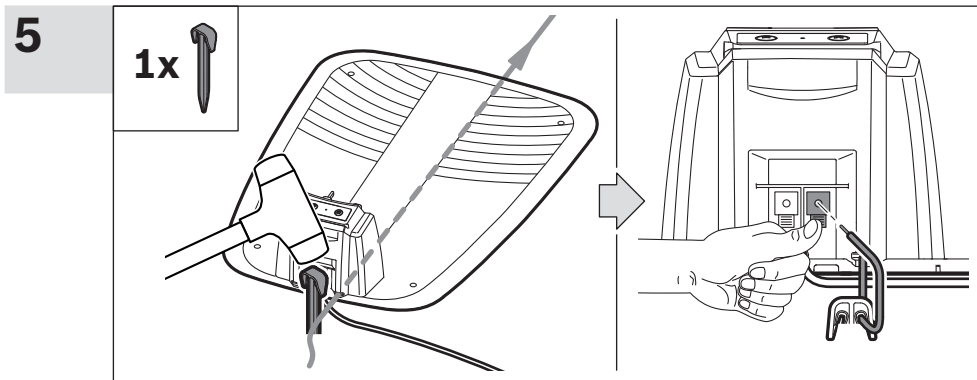
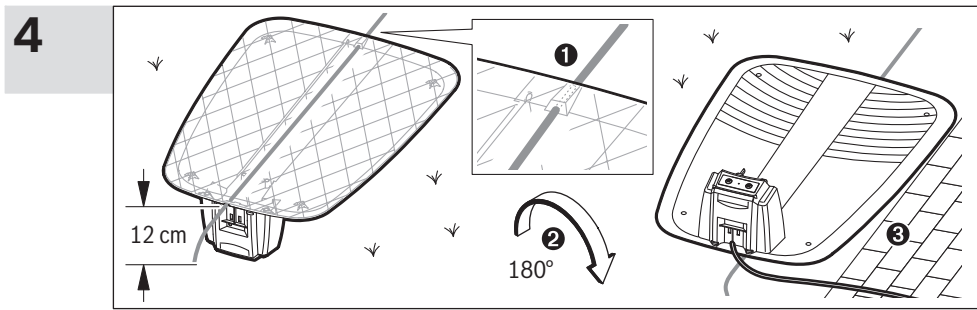
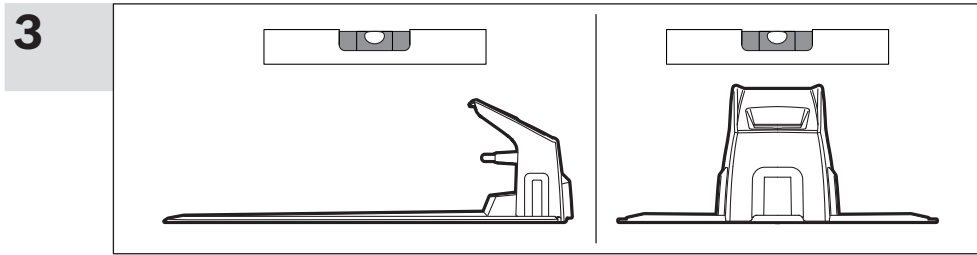
4 x

F 016 800 322



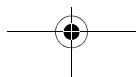
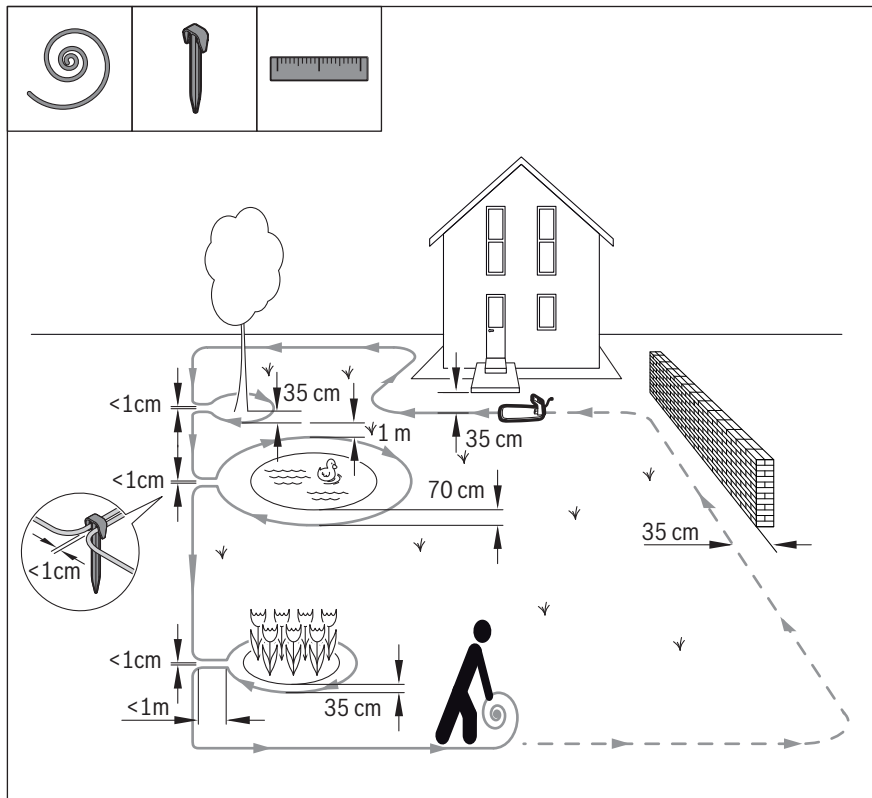
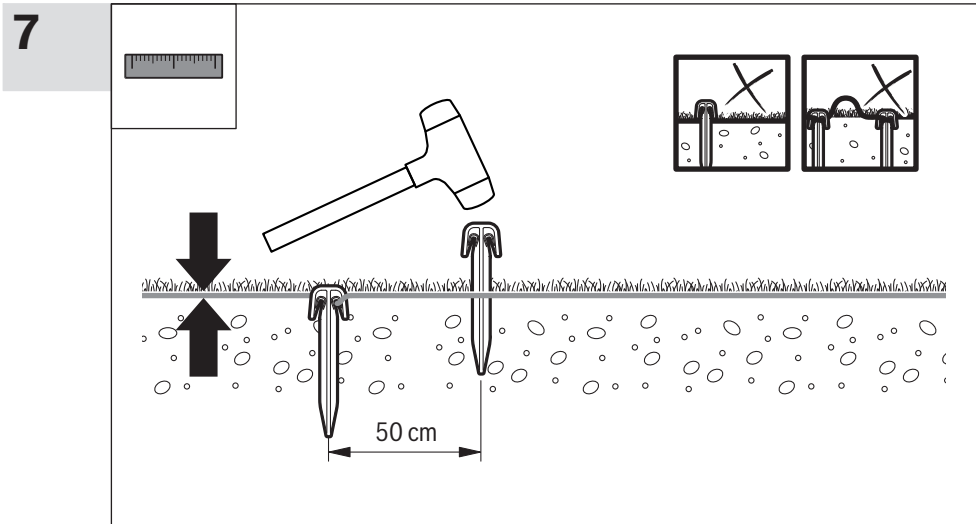
4 |





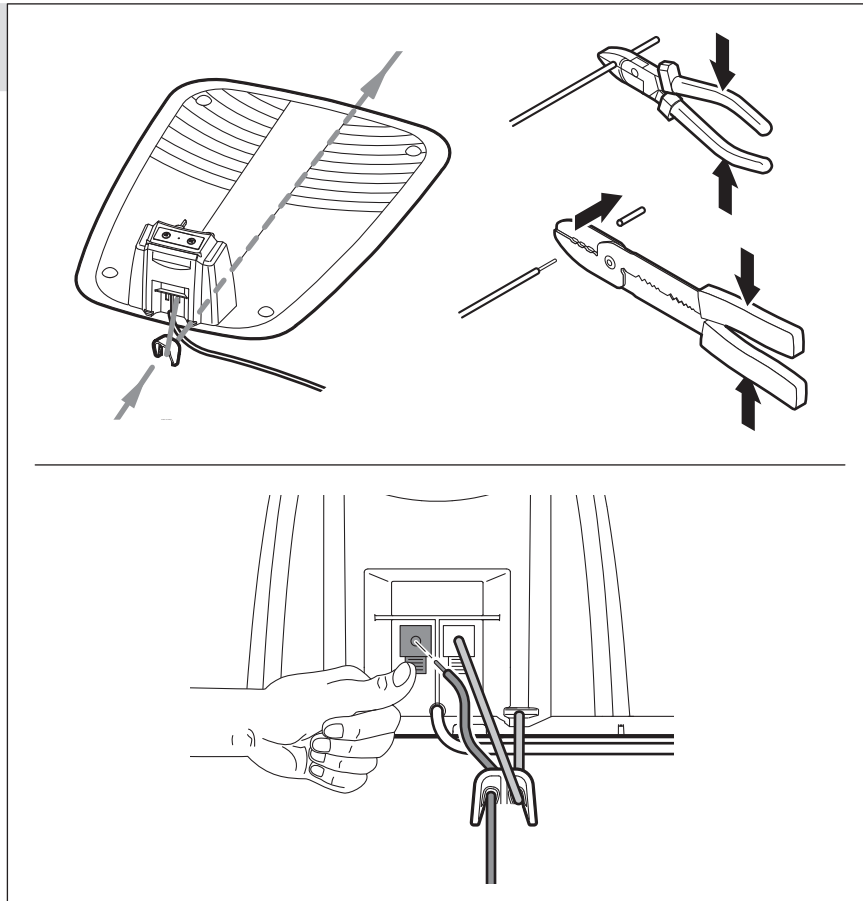


6 |

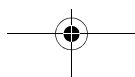
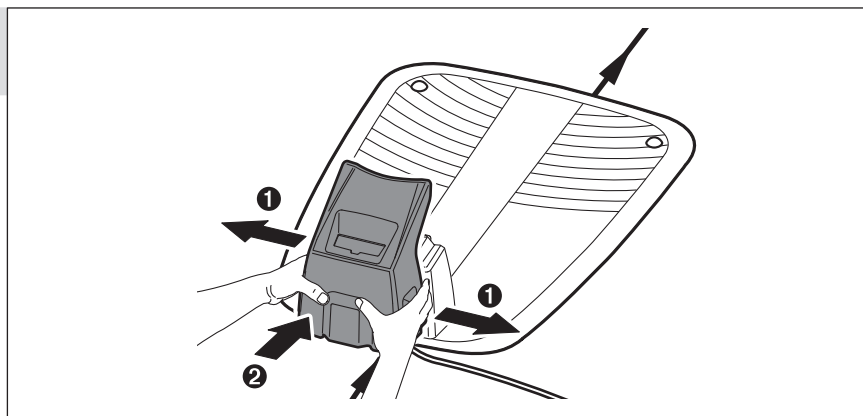




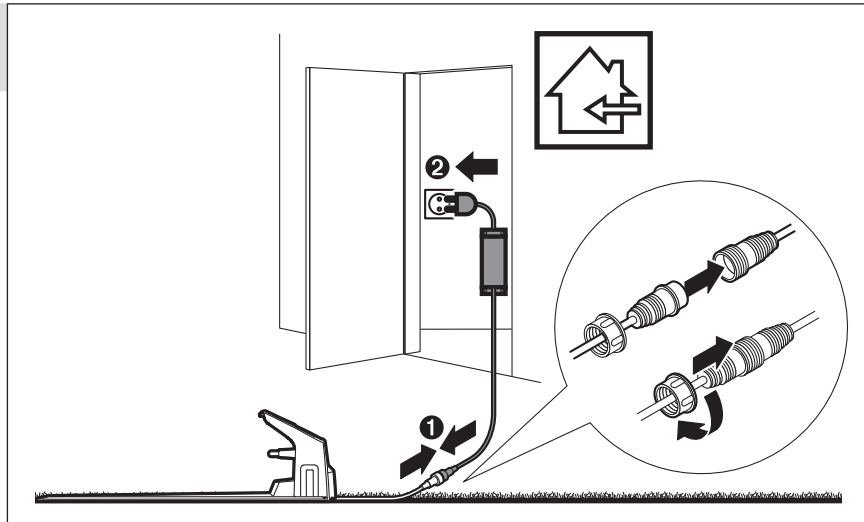
8



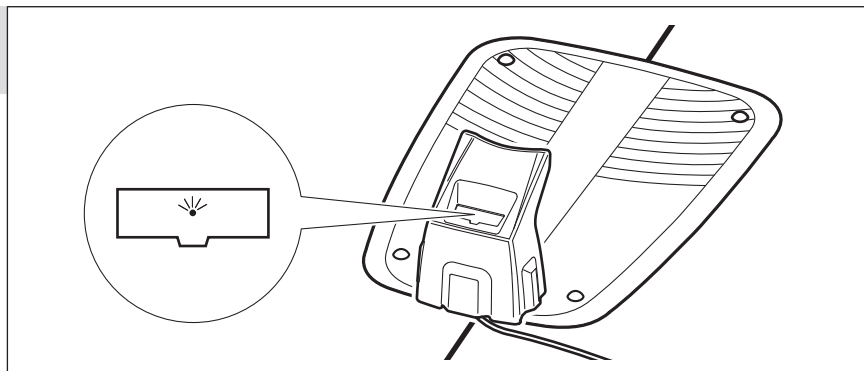
9



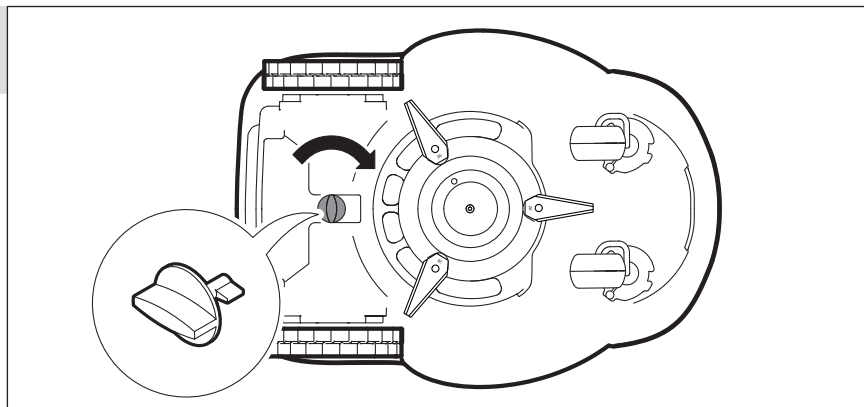
10



11

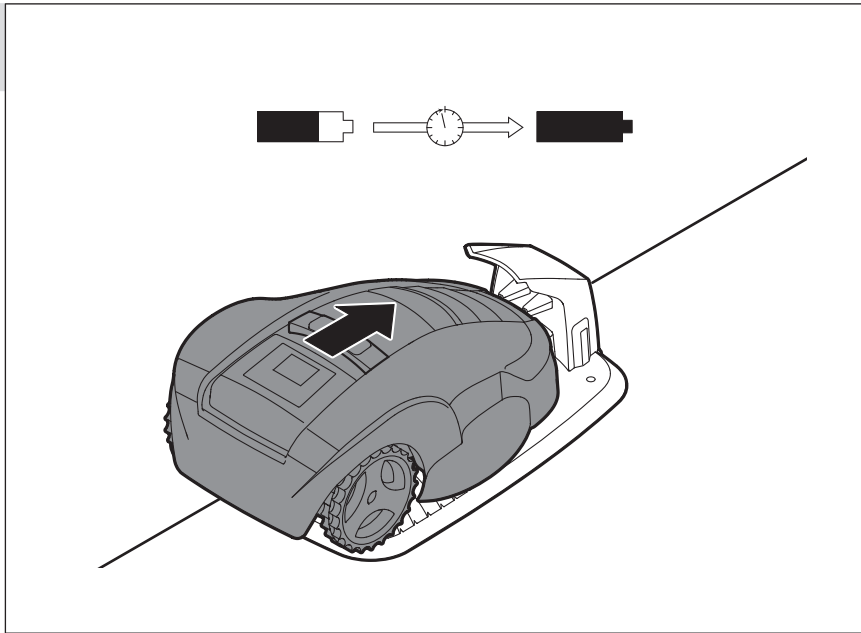
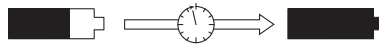


12

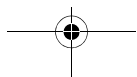
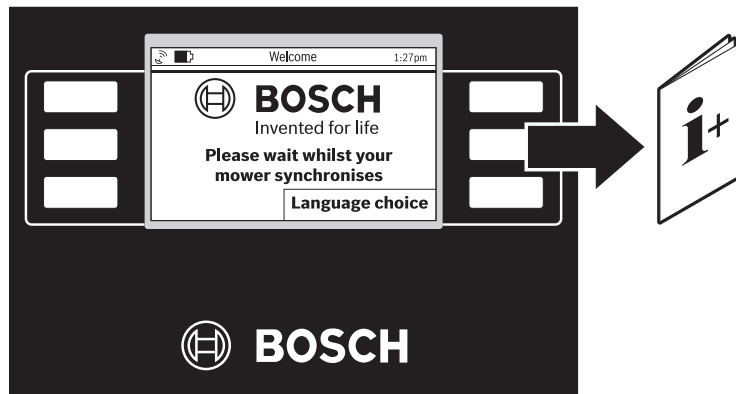




### 13

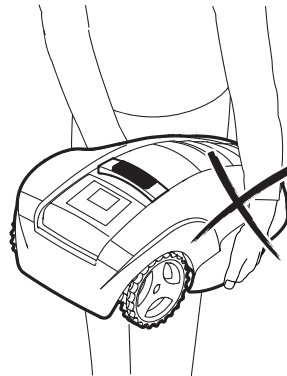
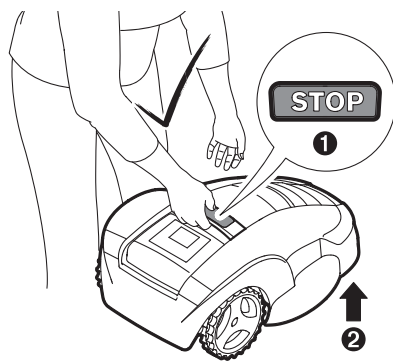


### 14

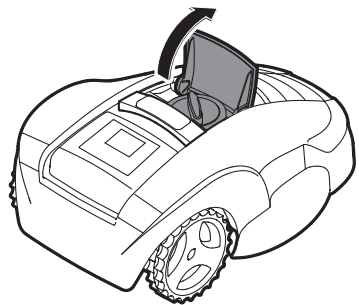




## 15

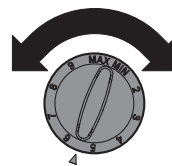


## 16



MAX

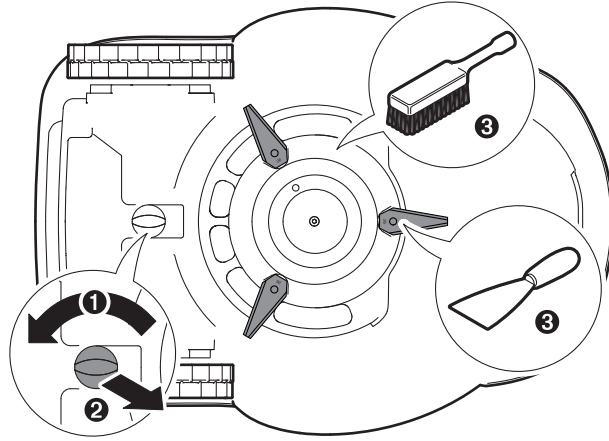
60 mm



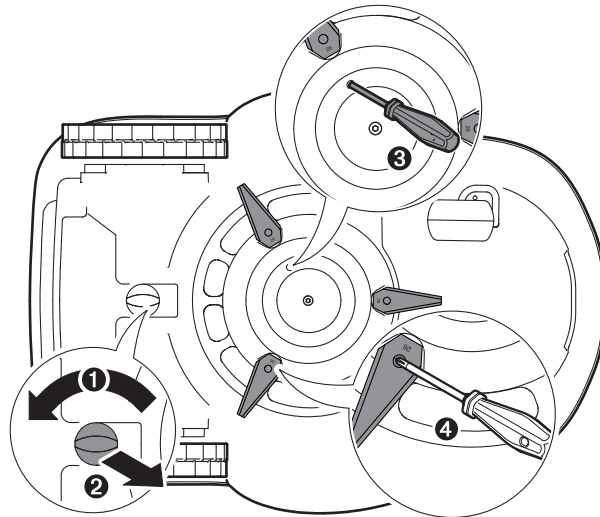
MIN

20 mm

**A**



**B**



## Entsorgung

Werfen Sie Gartengeräte, Ladegeräte und Akkus/Batterien nicht in den Hausmüll

### Nur für EU-Länder:



Gemäß der europäischen Richtlinie 2002/96/EG müssen nicht mehr gebrauchsfähige Elektro- und Elektronikgeräte und gemäß der europäischen Richtlinie 2006/66/EG müssen defekte oder verbrauchte Akkus/Batterien getrennt gesammelt und einer umweltgerechten Wiederverwendung zugeführt werden.

Nicht mehr gebrauchsfähige Akkus/Batterien können direkt abgegeben werden bei:

#### Deutschland

Recyclingzentrum Elektrowerkzeuge  
Osteroder Landstraße 3  
37589 Kalefeld

#### Schweiz

Batrec AG  
3752 Wimmis BE

- ▶ **Integrierte Akkus dürfen nur zur Entsorgung entnommen werden.** Durch das Öffnen der Gehäuseschale kann das Gartengerät zerstört werden.

- ▶ **Integrierte Akkus dürfen zur Entsorgung nur durch eine Kundendienststelle entnommen werden.**

#### Akkus/Batterien:



#### Li-Ion:

Bitte beachten Sie die Hinweise im Abschnitt Transport .

Änderungen vorbehalten.

## English

### Safety Notes

**Warning! Read these instructions carefully, be familiar with the controls and the proper use of the machine. Please keep the instructions safe for later use!**

#### Explanation of symbols on the machine



General hazard safety alert.  
Ensure no exits are blocked or obstructed by the machine.



Warning: Read user instructions before operating the machine.



Warning: Operate the disabling device before working on or lifting the machine.



Caution: Do not touch rotating blades. Sharp blade(s). Beware of severing toes or fingers.



Wait until all machine components have completely stopped before touching them. The blades continue to rotate after the machine is switched off, a rotating blade can cause injury.



Pay attention that bystanders are not injured through foreign objects thrown from the machine.



Warning: Keep a safe distance from the machine when operating.



Do not ride on the machine.



Battery charger contains a safety transformer.

### Operation

- ▶ **Before working on the machine itself (e. g. maintenance, tool change, etc.) as well as during transport and storage, remove the isolator key from the machine.**
- ▶ Never allow children or people unfamiliar with these instructions to use the machine. Local regulations may restrict the age of the operator.
- ▶ This machine is not intended for use by persons (including children) with reduced physical, sensory or mental capabilities, or lack of experience and knowledge, unless they have been given supervision or instruction concerning use of the machine by a person responsible for their safety. Children should be supervised to ensure that they do not play with the machine.
- ▶ The operator or user is responsible for accidents or hazards occurring to other people or their property.
- ▶ If any hazard occurs whilst the machine is operating immediately press the red stop button.
- ▶ Ensure correct installation of the perimeter wire as instructed.
- ▶ Check the perimeter wire is fully pegged to the ground avoiding any slack lengths of wire.
- ▶ Periodically inspect the area where the machine is used and remove all stones, sticks, wires and other foreign objects.
- ▶ Do not run over any live mains cable running in the working area.
- ▶ Periodically inspect to see that the blades, blade bolts and cutter assembly are not worn or damaged. Replace worn or damaged blades and bolts in sets to preserve balance.
- ▶ Never operate the machine with defective guards or without safety devices.

## 24 | English

- ▶ Do not put hands or feet near or under rotating parts.
- ▶ Never pick up or carry the machine while the motor is running.
- ▶ Do not leave the machine to operate unattended if you know that there are pets, children or people in the immediate vicinity.
- ▶ Start the machine according to the instructions standing well away from rotating parts.
- ▶ Do not use the product at the same time as a sprinkler or use the schedule to ensure that the two systems never run simultaneously.
- ▶ **Do not modify this product.** Unauthorized modifications may impair the safety of your product and may result in increased noise and vibration.

### Remove the isolator key:

- ... before clearing a blockage,
- ... before checking, cleaning or working on the machine,
- ... if the machine vibrates abnormally (stop and check immediately),
- ... after striking a foreign object. Inspect the machine for damage and get advice on necessary repairs from your Bosch Service Centre.

### Maintenance and Storage

**Always wear gardening gloves when handling or working near the sharp blades.**

- ▶ **Before working on the machine itself, remove the isolator key.**
- ▶ **Before working on the docking station or power supply, remove plug from mains.**

Clean the exterior of the machine thoroughly using a soft brush and cloth. Do not use water, solvents or polishes. Remove all grass and debris, especially from the ventilation slots.

Turn the machine on its back and clean the blade area regularly. Use a stiff brush or scraper to remove compacted grass clippings. (see figure A)

Blades are reversible. (see figure B)

- ▶ Keep all nuts, bolts and screws tight to be sure that the machine is in safe working condition.
- ▶ Periodically visually inspect the machine and replace worn or damaged parts for safety.
- ▶ Ensure that only official Bosch replacement parts are used.
- ▶ Replace all blades and bolts as a set as required.

### Storage

- ▶ **Remove isolator key when storing.**

During winter season store the machine and the docking station in a secure, dry place, out of the reach of children.

Do not place other objects on the machine or docking station.

### SD-Card

The machine has a SD-Card interface to allow software diagnosis by a Bosch Service Centre.

### Battery Hazards

- ▶ Recharge only in the Bosch approved docking station.
- ▶ In the unlikely event of liquid being ejected from the battery avoid all contact with the machine. If contact with the liquid occurs, seek medical advice.
- ▶ If the battery becomes defective, liquid can escape and come into contact with adjacent components. Check any parts concerned and contact the Bosch Service Centre.
- ▶ **Do not open the machine and battery inside.** Danger of short-circuiting and electric shock.
- ▶ **Protect the machine against fire.** Danger of battery explosion.
- ▶ **In case of damage and improper use of the machine, vapours may be emitted from the battery. Provide for fresh air and seek medical help in case of complaints.** The vapours can irritate the respiratory system.

Store the machine only within a temperature range between 5 °C and 45 °C. As an example, do not leave the machine in the car in summer.

### Safety Warnings for Docking Station and Power Supply

- ▶ **Only charge via the official Bosch docking station.** Otherwise there is danger of fire and explosion.
- ▶ **Check the docking station, power supply, cables and plugs periodically. If damage is detected, do not use the docking station or power supply. Never open the docking station or power supply. Have repairs performed only by a qualified Bosch technician and only using original spare parts.** A damaged docking station, power supply, cable or plug increases the risk of an electric shock.
- ▶ **Do not operate the docking station and power supply on easily flammable surfaces (e. g., paper, textiles, etc.) or surroundings.** The heating of the docking station and power supply during the charging process can pose a fire hazard.
- ▶ **Supervise children at all times.** This will ensure that children do not play with the docking station, power supply or the machine.
- ▶ **Children or persons that owing to their physical, sensory or mental limitations or to their lack of experience or knowledge, are not capable of safely operating the docking station or power supply, may only use this docking station and power supply under supervision or after having been instructed by a responsible person.** Otherwise, there is danger of operating errors and injuries.
- ▶ The voltage indicated on the power supply must correspond to the voltage of the power source.

The power supply should ideally be connected into a socket that is protected by a circuit-breaker that is actuated by a 30 mA residual current. Check your Residual Current Device (RCD) at regular intervals.

The supply cord must be inspected for signs of damage at regular intervals and may only be used if in perfect condition.

- ▶ If the supply cord is damaged, it must be replaced by the manufacturer, its service agent or similarly qualified persons in order to avoid a hazard.

Only use or replace cables for the docking station and power supply with Bosch approved parts.

- ▶ Never touch the mains plug with wet hands.

Do not run over, crush or pull the cables. Protect the cables from heat, oil and sharp edges.

The power supply/docking station is double insulated for safety and requires no earth connection. The operating voltage is 230 V AC, 50 Hz (for non-EU countries 220 V, 240 V as applicable). Contact your Bosch Service Centre for details.

If in doubt contact a qualified electrician or the nearest Bosch Service Centre.

The connection lead must be inspected for signs of visible damage and ageing at regular intervals and may only be used if in perfect condition.





Products sold in **GB only**: Your product is fitted with a BS 1363/A approved electric plug with internal fuse (ASTA approved to BS 1362).

If the plug is not suitable for your socket outlets, it should be cut off and an appropriate plug fitted in its place by an authorised customer service agent. The replacement plug should have the same fuse rating as the original plug.

The severed plug must be disposed of to avoid a possible shock hazard and should never be inserted into a mains socket elsewhere.

## Symbols

The following symbols are important for reading and understanding the operating instructions. Please take note of the symbols and their meaning. The correct interpretation of the symbols will help you to use the garden product in a better and safer manner.

Symbol	Meaning
	Wear protective gloves
	Permitted action
	Prohibited action
	Accessories/Spare Parts

## Intended Use

The garden product is intended for domestic lawn mowing.

## Technical Data

Robotic Mower	Indego	
Article number		3 600 HA2 ...
Cutting width	cm	26
Height of cut	mm	20 ...60
Slope angle (max.)	°	20
Working area size		
... maximum	m <sup>2</sup>	1000
... per charge up to*	m <sup>2</sup>	200
Weight	kg	11.1
Degree of protection		IPX1
Serial number	see type plate on the garden product	
<b>Battery</b>	<b>Li-Ion</b>	
Rated voltage	V=	32.4
Capacity	Ah	3.0
Number of battery cells		18
Operating time, average up to*	min	50
Charging period (max.)	min	50
<b>Perimeter Wire</b>		
Perimeter wire		
... minimum working length	m	20
... maximum working length	m	450
<b>Docking Station</b>		
Input voltage	V	42
Power consumption	W	150
Charging current	A	2.0
Allowable charging temperature range	°C	5 ...45
Weight	kg	2.0
Degree of protection		IPX1
<b>Power Supply</b>		
Input AC	V	220 ...240
Protection class		□/II
*depends on cutting height, grass conditions and moisture		
**protected against splashing water from all directions		
The values given are valid for a nominal voltage [U] of 230 V. For different voltages and models for specific countries, these values can vary.		
Please observe the article number on the type plate of your garden product. The trade names of the individual garden products may vary.		

26 | English

Robotic Mower	Indego	
Frequency	Hz	50/60
Output DC	V	42
Degree of protection		IP44**
Weight	kg	2.0

\*depends on cutting height, grass conditions and moisture  
 \*\*protected against splashing water from all directions  
 The values given are valid for a nominal voltage [U] of 230 V. For different voltages and models for specific countries, these values can vary.  
 Please observe the article number on the type plate of your garden product. The trade names of the individual garden products may vary.

**Noise/Vibration Information**

Measured sound values determined according to EN 60335. Typically the A-weighted noise levels of the product are: Sound pressure level 64 dB(A); sound power level 72 dB(A). Uncertainty K = 2.74 dB.

**Declaration of Conformity** 

We declare under our sole responsibility that the product described under Technical Data is in conformity with the following standards or standardization documents: EN 60335 (battery powered product) and EN 60335 (battery charger) according to the provisions of the directives 2011/65/EU, 2006/95/EC, 2004/108/EC, 2006/42/EC, 2000/14/EC. 2000/14/EC: Guaranteed sound power level 75 dB(A). Conformity assessment procedure according to Annex VI.

Equipment category: 32

Notified body:

SRL, Sudbury, England, Nr. 1088

Technical file (2006/42/EC, 2000/14/EC) at: Bosch Lawn and Garden Ltd., PT-LG/ENS, Stowmarket, Suffolk IP14 1EY, England

Dr. Egbert Schneider Senior Vice President Engineering  
 Helmut Heinzelmann Head of Product Certification PT/ETM9

*Signature* i.V. *Signature*

Robert Bosch GmbH, Power Tools Division  
 D-70745 Leinfelden-Echterdingen  
 12.10.2012

**Explanation of Installation Guide (see pages 3 11)**

Action	Figure
Delivery scope/unpacking product	1
Position the docking station	2...3
Thread wire through base plate	4

Action	Figure
Connect first end of perimeter wire	5
Fix docking station to the ground	6
Lay out perimeter wire	7
Connect second end of perimeter wire	8
Clip on protective cover of docking station	9
Install power supply	10
Docking station indicates power on	11
Plug in isolator key	12
Charge battery by putting the machine into docking station	13
Welcome screen = Refer to manual	14
Lift up and carry the machine	15
Set height of cut	16
Cleaning	A
Maintenance	B

**Lawn Preparation**

Remove stones, loose pieces of wood, wire, live mains cables and other foreign objects from the cutting area.

Make sure that the cutting area is even and has no ditches, grooves and steep slopes above 20° that are clear obstructions for the machine.

Cut the main area of the lawn with a conventional mower to a max. height of 40 mm and the perimeter wire area to a max. height of 20 mm.

**Installation**

For a video guide on how to install the Indego please visit [www.bosch-indego.com](http://www.bosch-indego.com) or use the following QR-Code.



Select a position for the docking station, horizontally leveled and out of direct sun light.

Make sure that the docking station is placed by the side of the cutting area with a straight 2 m track in front and behind.

Whilst stood in the grass area to be cut it is important that the docking station charging pins point to the left. (see figure 2) Note - If the docking station is positioned with the charging pins pointing either into the grass area or pointing to the right the Indego will not leave the dock.

Pull the wire end through the front hole of the base plate and straight through the wire duct and the rear hole. Fix the wire with a peg inline with the hole. Cut off insulation carefully and

connect the wire to the right hand (red) terminal. (see figures 4 ...5)

Fix the docking station with 4 supplied fixing pins to the ground. (see figure 6)

Lay out the perimeter wire anti-clockwise and flush to the ground. Observe the minimum distances from lawn edges, steps, walls, ponds, etc. Use the spacing guide. (see figure 7)

Trees, ponds, flower beds, etc. on the lawn must be delimited in clockwise direction. The lines to and from these zones may not cross but the wire should be touching. (see figure 7)

Fix the wire with the first peg next to the docking station, tension and fix with pegs at a distance of approx. 50 cm. (see figure 7)

Continue the loop and bring the wire to the back of the docking station and inline with the other end of the wire. Fix the second end of the wire also with the peg. Perimeter wire and peg should be installed inline. Shorten the wire, cut off insulation carefully and connect the wire to the left hand (black) terminal. (see figure 8)

Clip on the protective cover of the docking station. (see figure 9)

**Note:** The wire can be extended up to the maximum allowed length of 450 m.

**Note:** If verticutting or raking is intended avoid the perimeter wire.

Install the power supply in a cool, dry environment. Connect it with the docking station and an indoor mains socket. (see figure 10)

Check the indicator on the docking station (see figure 11):

... Indicator lights up **continuously green**, if the output voltage of the power supply is available and the perimeter wire is not interrupted.

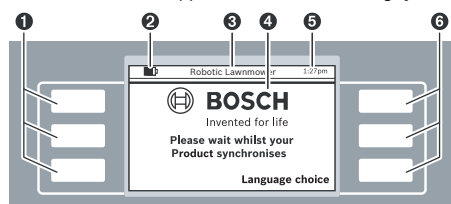
... Indicator **flashes green**, if the perimeter wire is broken, long or short.

... Indicator does **not light up** when the output voltage of the power supply is not available.

## Initial Programming

Plug the isolator key into the machine and put it into the docking station for charging. (see figures 12 ...14)

The welcome screen appears and shows following symbols:



Symbol	Meaning
1	Multifunctional buttons, left
2	Battery capacity
3	Title of Menu/Submenu
4	Display with dialog screens
5	Time
6	Multifunctional buttons, right

The buttons are multifunctional. The meaning depends on the individual menu function and is explained on the screen.

The buttons next to the arrow symbols ▲ or ▼ allow to navigate up or down through the menu options. The buttons next to the arrow symbols ► or ◀ allow to go right or left through the menu options.

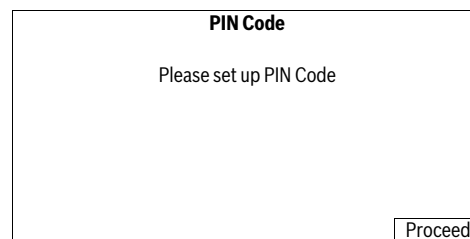
The display will change to the next screen as soon as any option is selected and confirmed.

### Installation

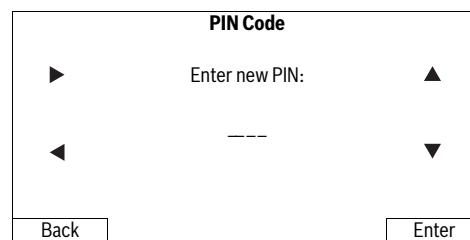
First press the button next to **Language choice**. The **Set Language** screen appears and shows the following.



Select one of the **Language** options and confirm with **Save**.



Select **Proceed** to enter your personal PIN Code.



Select the input position with the left/right cursors, adjust the digits with the up/down cursors and confirm with **Enter** or select **Back** to return to the first **PIN Code** screen.

## 28 | English

**Note:** Keep the PIN code secret from third parties.

If you have lost your personal PIN code, you will have to return the Indego and its docking station to a Bosch Service Center to be unlocked. Please contact your dealer or Bosch (see After-sales Service and Application Service).

Date & Time	
▶	▲
◀	▼
hh:mm dd/mm Format: 12 hr	
Back	Save

Select the hh:mm, dd/mm and Format: 12 hr input positions with the left/right cursors, adjust the values with the up/down cursors and confirm with **Save** or select **Back** to return to the first **PIN code** screen.

Installation	
Please press <b>Follow Wire</b> to complete installation process	
Back	Follow Wire

Press **Follow Wire** to complete mapping the garden. (Select **Back** to return to the **Date & Time** screen.)

Installation	
Step Back	
Machine is about to start. Wire being followed...	
Back	

The following screen indicates the initial follow of perimeter wire:

Mower Status	
Mapping the garden ...	
Back	

The blades do not rotate when the machine follows the wire for the first time.

## Mapping Completed

Is this the back of the **docking station** or an **obstacle**? If this is an obstacle, remove it and machine will continue mapping.


Obstacle	Docking Station
----------	-----------------

Mapping is complete when the machine reaches the back of the docking station.

If the machine hasn't reached the back of the docking station press **Obstacle** and observe information indicated on the screen to complete installation.

If the machine has reached the back of the docking station press **Docking Station**.

Mapping Completed	
<b>Mapping Completed. Mower is returning in the docking station. Please wait.</b>	
Back	

Robotic Lawnmower	
 <b>BOSCH</b> Invented for life	
Mow now	Menu

After a successful installation you can either immediately begin to mow by pressing **Mow now** or set up a mowing schedule in the **Menu > Select Daily Timer**.

For more information about the behaviour of the machine while mowing see section **Mowing**.

## Custom Settings

Configure the mowing schedules and the settings of the machine according to your needs. All menu items are listed in section **Menu Navigation**.

The set up of a **Select Daily Timer** is explained in detail. The other menus are self-explaining.

### Schedule

In **Menu > Select Daily Timer** 5 schedules are available.

**MANUAL** should be used if you only want to instruct the machine to operate at the current time.

Each of the **CUSTOM** mode can be scheduled according to your needs.



**Example:**

Select Daily Timer		
Info	MANUAL	▲
	<b>CUSTOM 1</b>	
	CUSTOM 2	
Edit	CUSTOM 3	▼
	CUSTOM 4	
	CUSTOM 5	
Back		Select

Select a **CUSTOM** schedule with the up/down cursors, e. g. **CUSTOM 1** and press **Edit**.

CUSTOM 1		
View	Monday	▲
	Tuesday	
Edit	Wednesday	▼
	Thursday	
	Friday	
	Saturday	
	Sunday	
Back		OK

Select the mowing day with the up/down cursors, e. g. **Monday** and press **Edit**.

CUSTOM 1 Monday		
▶	Slot 1: On	▲
	Start 12 : 00	End 14 : 00
◀	Slot 2: Off	▼
	Start :	End :
Cancel		Save

Set up a time slot for **Start** and **End** of automatic mowing. If a dormant period is required, e. g. at noon, two slots must be established. For each day a single slot or both slots can be turned ON or OFF.

The machine will work within a slot unless the battery needs charging. If the lawn area has been completed before the end of a time slot the machine will return to the docking station.

Select slot 1 with the right/left cursors and select **On** or **Off** with the up/down cursors. Select **Start** with the right/left cursors and adjust a start time with the up/down cursors. Select **End** and adjust an end time in the same way. If required set also a start and end time for slot 2. Press **Save** to confirm your entry.

If the machine should not operate, e. g. on Monday, select **Off** with the up/down cursors for both slots.

The programmed slot is shown on a schedule.

CUSTOM 1		
View	Monday	▲
	Tuesday	
Edit	Wednesday	▼
	Thursday	
	Friday	
	Saturday	
	Sunday	
Back		OK

Set up all additionally required mowing days and confirm your personal **CUSTOM 1** mowing schedule with **OK**.

Select Daily Timer		
Info	MANUAL	▲
	<b>CUSTOM 1</b>	
	CUSTOM 2	
Edit	CUSTOM 3	▼
	CUSTOM 4	
	CUSTOM 5	
Back		Select

A tick ✓ will appear next to the saved mode.

The machine will start mowing as soon as day and start time of slot 1 is reached.

**Note:** Set up different schedules for seasonal growing conditions in spring, summer and autumn. Observe the growth of the grass and adjust your schedule if required.

**Note:** The Indego s cutting system is designed to cut small lengths of grass (3...5 mm) so that the clippings can mulch down and fertilise the lawn.

## Mowing

► **Do not let children ride the machine.**

► **Press manual stop button before lifting. Always lift the machine at its handle.**

For best mowing results, set up a frequent mowing schedule for longer lasting battery and for preventing debris on the lawn.

### Once mowing has started:

... in the **MANUAL**, the machine operates until the lawn area has been cut or until the manual stop button is pressed or until the battery needs charging.

... in the programmable **Custom** mode, the machine operates continuously within a slot. It only pauses mowing for charging. To stop mowing before the machine has finished a slot, press the manual stop button. If the lawn area has been completed before the end of a time slot the machine will return to the docking station.

### The machine has following sensors:

... **lift sensor**, will be activated if the machine is lifted and cause the machine and cutting blades to stop

... **roll over sensor**, will detect when the machine is inverted and cause the machine and cutting blades to stop

**30 | English**

... **obstruction sensor**, tactile detection for obstacle anywhere in the full width of the path of the machine and cause the machine to change its direction

... **tilt sensor**, will be activated if the machine reaches an angle of 45°

If one of the sensors is activated, such as lift sensor, the screen will show a message, e. g. Machine has been lifted. Please enter PIN code to continue. The display switches into sleep mode, if no input is made for 3 minutes. Press any button to reactivate the screen.

If the machine is in sleep mode, press any button to change to the PIN entry screen and enter the PIN code.

**Battery Charging**

The battery is equipped with temperature monitoring that allows charging only in the temperature range between 5 °C and 45 °C.

The Lithium-Ion battery is supplied partially charged. To ensure full capacity of the battery, completely charge the machine in the docking station before first use.

The Lithium-Ion battery can be charged at any time without reducing its service life. Interrupting the charging procedure does not damage the battery.

When the battery is run down or discharged, the machine is shut off by means of a protective circuit: the blade no longer moves.

**Menu Navigation**

Following tables show the various menu items.

Settings		Explanation	
Mow Settings	Border Cut	Never	Machine never cuts lawn border.
		Every 4th time	Machine cuts lawn border every 4th mowing.
		Every 2nd time	Machine cuts lawn border every 2nd mowing.
	Cutting lane proximity		Set the proximity of the cutting lane
	Signal ID	Choice of different signals, if there is any signal interference.	
	Delete Maps	Machine will map garden again. <b>Note:</b> Machine should be in the docking station	
Security Options	Change PIN	PIN code is required for reactivation after auto-lock and safety shut-down. Changing of a PIN code needs entering of existing PIN code first.	
	Auto Lock	On	If buttons are not pressed for 3 min. they will be automatically locked. Recommended for safety reasons and protection against theft.
		Off	Buttons are always ready for input.
Set Language		Change of displayed language.	
System Options	Set Keypad Volume	Set the volume of the keypad.	
	Set Display	Display Brightness	Set the display brighter or darker.
	Info		Information about software version, serial number and last service.
	Factory Reset		Reset of the machine to factory setting will delete all personal settings. A factory reset will require to repeat installation.
Set Time & Date		Edit date and time.	

Select Daily Timer		Explanation
MANUAL	View	Help information when to use MANUAL.
	Select	Select this programme if no schedule should be used.
CUSTOM 1 ...5	Edit	Edit Monday
		Edit Tuesday
		Edit Wednesday
		Edit Thursday
		Edit Friday
		Edit Saturday
		Edit Sunday
	Select	Activate one of 5 custom settings.
Schedule Info		Explanation
Schedule Info		Overview of programmed mowing days.
	Back	Return to Menu.
	Change Schedule	Enter submenu Select Daily Timer.
Lock Controls		Explanation
Lock Controls		To lock buttons immediately, independent from Auto-Lock.
	Unlock Controls	To unlock buttons the entry of the PIN code is required.

## Troubleshooting



Problem	Possible Cause	Corrective Action
Machine fails to operate	Possible clogging	Check underneath the garden product and clear out as necessary (always wear gardening gloves)
	Battery not fully charged	Replace garden product in the docking station
	Grass too long	Increase height of cut
	Battery too hot/cold	Allow to cool/warm
	Isolator key not inserted correctly/fully	Fit correctly
Motor starts and stops immediately	Battery not fully charged	Replace garden product in the docking station
	Isolator key not inserted correctly/fully	Fit correctly
	Battery too hot/cold	Allow to cool/warm Increase height of cut
Machine functions intermittently	Possible internal fault	Contact your Bosch Service Centre

## 32 | English

Problem	Possible Cause	Corrective Action
Garden product leaves ragged finish	Height of cut too low	Increase height of cut
	Cutting blade blunt	Replace the blade
	Possible clogging	Check underneath the garden product and clear out as necessary (always wear gardening gloves)
Areas left uncut	Time slot not long enough for garden size	Increase mowing time slot
	Battery duration	Contact your Bosch Service Centre
	Distance between obstacles surrounded by perimeter wire is less than 1 m	Increase distance between perimeter wire Note: Obstacles with a height of more than 6 cm do not require to be wired
	Rough lawn conditions	Increase/decrease cutting lane proximity from mow settings
Excessive vibrations/noise	Blade nut/bolt loose	Tighten blade nut/bolt
	Cutting blade damaged	Replace the blade
No charging procedure possible	Charging pins corroded	Clean the charging pins
	Possible internal fault	Contact your Bosch Service Centre
Garden product unable to dock	Perimeter wire not correct aligned	Check perimeter wire and align it
The LED on the docking station does not light up	Mains plug of power supply not plugged in (properly)	Insert mains plug (fully) into the socket outlet
	Possible faults with the socket outlet or mains cable	Have the mains voltage supply checked by an authorized electrician
	Power supply or docking station fault	Have the power supply or docking station checked by your Bosch Service Centre

## After-sales Service and Application Service

### [www.bosch-garden.com](http://www.bosch-garden.com)

In all correspondence and spare parts orders, please always include the 10-digit article number given on the type plate of the garden product.

Additionally be aware of your product's software version (see **Menu > Settings > System Options > Info**).

#### Great Britain

Robert Bosch Ltd. (B.S.C.)  
P.O. Box 98  
Broadwater Park  
North Orbital Road  
Denham  
Uxbridge  
UB 9 5HJ  
Tel. Service: (0844) 7360109  
Fax: (0844) 7360146  
E-Mail: [boschservicecentre@bosch.com](mailto:boschservicecentre@bosch.com)

#### Ireland

Origo Ltd.  
Unit 23 Magna Drive  
Magna Business Park  
City West  
Dublin 24  
Tel. Service: (01) 4666700  
Fax: (01) 4666888

#### Australia, New Zealand and Pacific Islands

Robert Bosch Australia Pty. Ltd.  
Power Tools  
Locked Bag 66  
Clayton South VIC 3169  
Customer Contact Center  
Inside Australia:  
Phone: (01300) 307044  
Fax: (01300) 307045  
Inside New Zealand:  
Phone: (0800) 543353  
Fax: (0800) 428570  
Outside AU and NZ:  
Phone: +61 3 95415555  
[www.bosch.com.au](http://www.bosch.com.au)